

# Oxia Mini AC

MIO LIGHTING

## Description

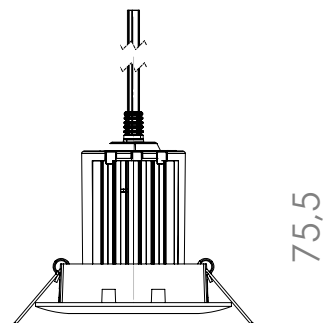
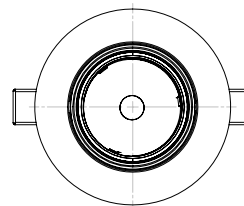
- Fits in most existing MR16 / GU10 halogen luminaires
- Module with integrated electronic, heatsink and optics
- Beam Angle: spot degree (24°) or downlight (36°)
- System luminous efficacy up to 85 lm/W
- Colour temperatures 2,700, 3,000 and 4,000 K
- Can be mounted with the fixing rings
- Nominal lifetime of 50,000 hours
- 5-years guarantee
- Ø D -89/90/92



## Application

- home
- office
- hotel
- reception desk
- shop
- conference rooms

## Dimensions



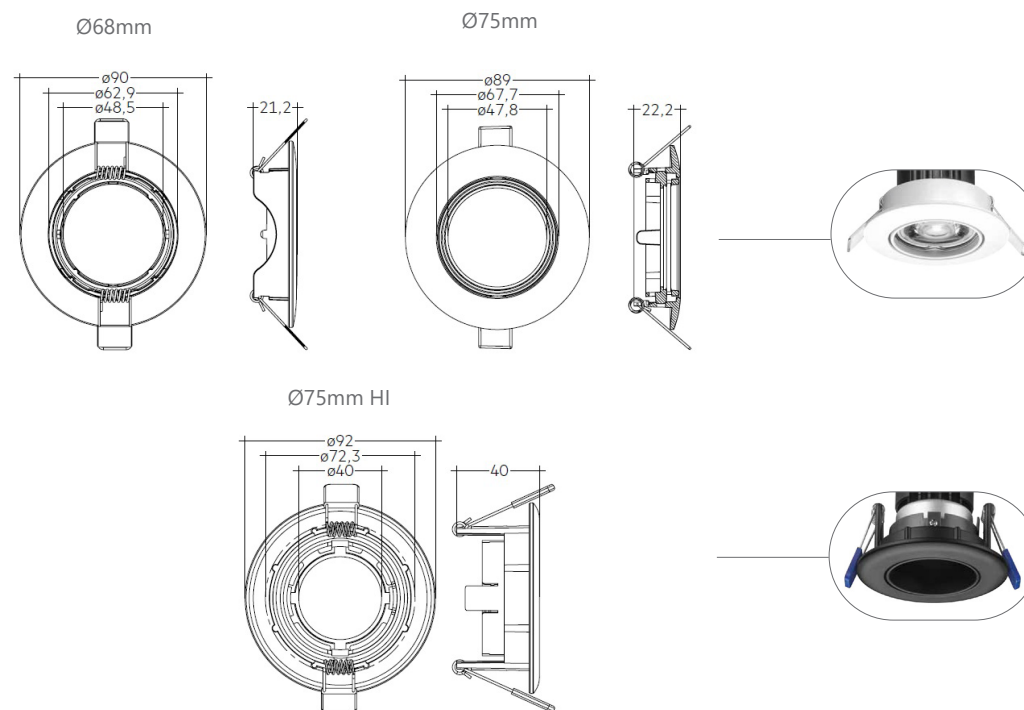
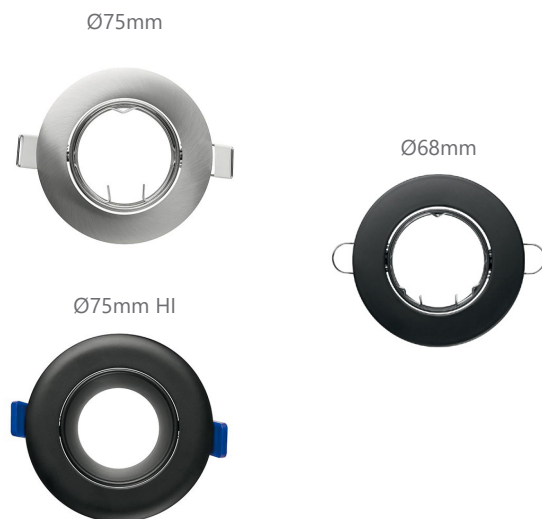
## Technical specifications

Luminaire	Catalog no.	Lumen output [lm]	Beam characteristics	Input power [W]	Colour temp. [K]	Colour rendering index [Ra] (CRI)	Lifetime [h]
OXIA MINI AC 50mm 700lm 927 IP20 24D	100-00274	700	24°	9,5	2700	>90	50 000
OXIA MINI AC 50mm 700lm 927 IP20 36D	100-00275	700	36°	9,5	2700	>90	50 000
OXIA MINI AC 50mm 700lm 930 IP20 24D	100-00276	700	24°	9,5	3000	>90	50 000
OXIA MINI AC 50mm 700lm 930 IP20 36D	100-00277	700	36°	9,5	3000	>90	50 000
OXIA MINI AC 50mm 700lm 940 IP20 24D	100-00278	700	24°	9,5	4000	>90	50 000
OXIA MINI AC 50mm 700lm 940 IP20 36D	100-00279	700	36°	9,5	4000	>90	50 000

# Oxia Mini AC

## Accessories

- Up to 30° swivel mounting rings for ceiling cutouts 68 mm and 75 mm
- Matt white / matt black / brushed nickel finishing
- Version 75 mm with optional anti-glare guard
- Spring clip pre-assembled



<i>Luminaire</i>	<i>Catalog no.</i>	<i>Colour</i>	<i>Ceiling cutout</i>
Ring 30D R75 WH	400-00001	matt white	Ø75mm
RING 30D R75 BK	400-00002	matt black	Ø75mm
Ring 30D R75 BN	400-00003	brushed nickel finishing	Ø75mm
Ring 30D R68 WH	400-00004	matt white	Ø68mm
Ring 30D R68 BK	400-00005	matt black	Ø68mm
Ring 30D R68 BN	400-00006	brushed nickel finishing	Ø68mm
Ring 30D R75 WH HI	400-00007	matt white	Ø75mm
Ring 30D R75 BK HI	400-00008	matt black	Ø75mm