

Hermes Mini AC

Description

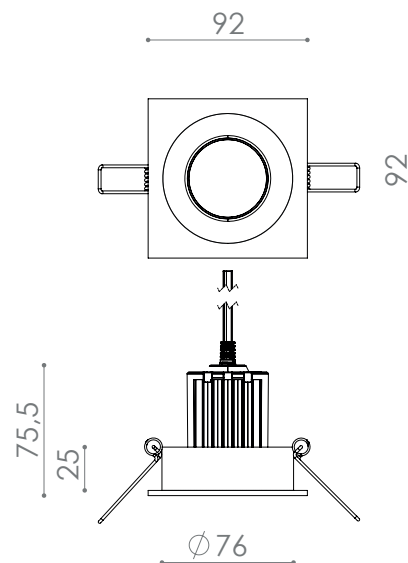
- Fits in most existing MR16 / GU10 halogen luminaires
- Module with integrated electronic, heatsink and optics
- Beam Angle: spot degree (24°) or downlight (36°)
- System luminous efficacy up to 85 lm/W
- Colour temperatures 2,700, 3,000 and 4,000 K
- Can be mounted with the fixing rings
- Nominal lifetime of 50,000 hours
- 5-years guarantee



Application

- home
- office
- hotel
- reception desk
- shop
- conference rooms

Dimensions



Technical specifications

Luminaire	Catalog no.	Lumen output [lm]	Beam characteristics	Input power [W]	Colour temp. [K]	Colour rendering index [Ra] (CRI)	Lifetime [h]
HERMES MINI AC 50mm 700lm 927 IP20 24D	100-00504	700	24°	9,5	2700	>90	50 000
HERMES MINI AC 50mm 700lm 927 IP20 36D	100-00505	700	36°	9,5	2700	>90	50 000
HERMES MINI AC 50mm 700lm 930 IP20 24D	100-00506	700	24°	9,5	3000	>90	50 000
HERMES MINI AC 50mm 700lm 930 IP20 36D	100-00507	700	36°	9,5	3000	>90	50 000
HERMES MINI AC 50mm 700lm 940 IP20 24D	100-00508	700	24°	9,5	4000	>90	50 000
HERMES MINI AC 50mm 700lm 940 IP20 36D	100-00509	700	36°	9,5	4000	>90	50 000

Hermes Mini AC

MIO LIGHTING

<i>Luminaire</i>	<i>Catalog no.</i>	<i>Colour</i>
Ramka Hermes Mini	400-00046	matt white
Ramka Hermes Mini	400-00047	matt black
Ramka Hermes Mini	400-00048	brushed nickel finishing